



C60 Standby UPS

800VA Models

User & Installation Manual

Table of Contents

Package Contents.....3

Product Introduction.....3

Product Overview..... 3

Installation & Initial Startup.....4

Indicators & Alarm Conditions.....5

Troubleshooting.....6

Specifications.....7

Obtaining Service.....8

Xtreme Power Conversion Limited Warranty.....9

Package Contents

You should be receiving the following items inside the package:

- UPS Unit

Product Introduction

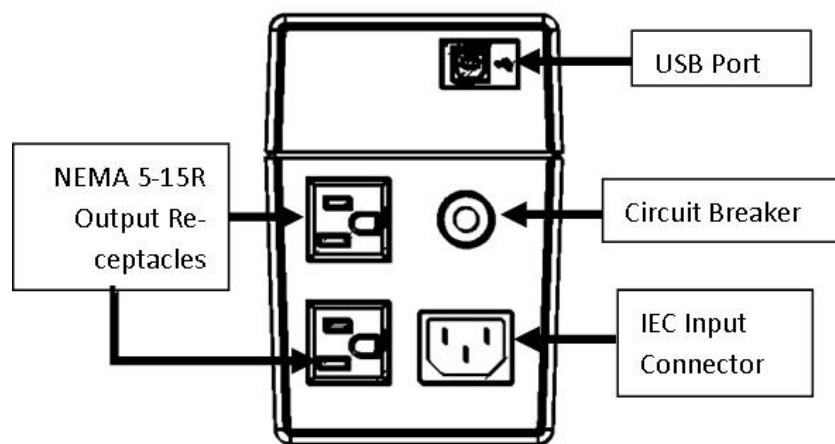
Thank you for selecting this uninterruptible power supply (UPS). It provides you with protection for connected equipment. **Please read this manual** before installing the C60 Series UPS models C60-800 and C60i-800 as it provides important information that should be followed during installation and maintenance of the UPS and batteries, allowing you to correctly set up your system for the maximum safety and performance. Included is information on customer support and service, if it is required. If you experience a problem with the UPS, please refer to the Troubleshooting section in this manual to correct the problem. If the problem is not corrected, please collect information so that the Technical Support personnel can more effectively assist you.

Product Overview

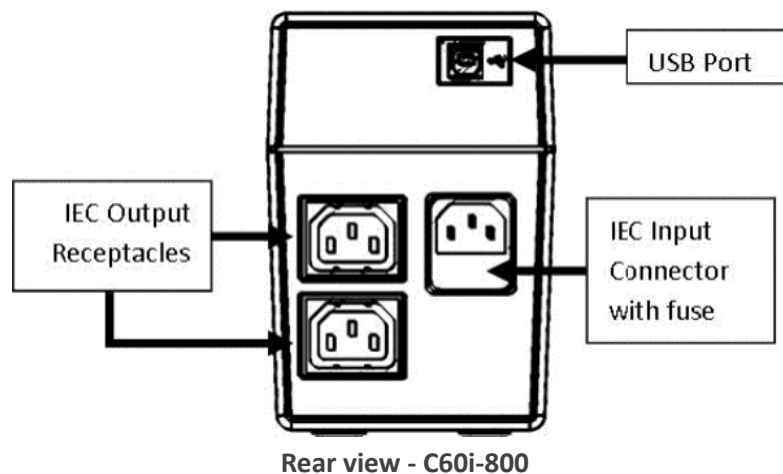
The C60 Series UPS provides comprehensive protection in a small and economical package. This UPS is compact, offering greater power. The C60 has been designed with a microprocessor to guarantee high reliability, and provides stable power to connected equipment, enabling shutdown of your equipment safely during a power failure.



Front view



Rear view - C60-800

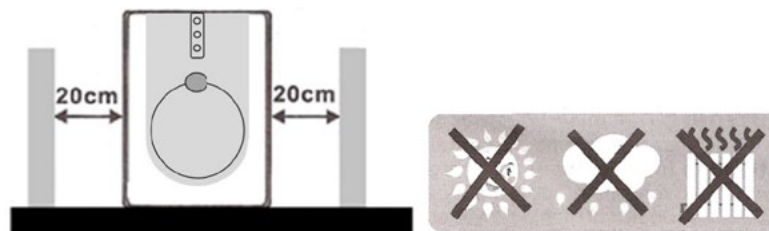


Installation & Initial Startup

Note: Before installation, inspect the unit and packaging to make sure that nothing inside has been damaged.

Placement & Storage

Install the UPS in a protected area that is free of excessive dust and has adequate air flow. Place the UPS away from other units at least 7.8 in (20 cm) to avoid interference. DO NOT operate the UPS where the temperature and humidity is outside the specified limits. (See Specifications for details).



Connect UPS to Utility and Charging

Before the initial use of the UPS, plug the UPS input cord into a wall outlet and turn the UPS on by depressing the Power switch on the front of the UPS. For best results, the batteries in the UPS should be charged for at least 8 hours before use. The UPS charges its battery while it is connected to AC utility power and powered on.

Connecting the Loads

Plug the loads to be supported by the UPS into the output receptacles on the rear of the UPS. Simply turn the power switch on the UPS on and the devices connected to the UPS will be protected by the UPS unit.

CAUTION: NEVER connect a laser printer or scanner to the UPS. This may cause damage to the unit.

Turn UPS ON/ OFF

To turn the UPS unit on, press the Power switch on the front of the UPS. To turn the UPS unit off, press the Power switch on the front of the unit again.

Connecting Local Monitoring Software

If it is desired to use the Local Monitoring Software, and if your UPS is equipped with USB communications, connect a USB cable from your computer to the UPS, and install the software from the CD.

Indicators & Alarm Conditions

Condition	Visual Indicator	Alarm
AC mode	Green LED illuminated	No Audible Alarm
Battery mode	Green LED flashes every 10 seconds	Audible Alarm sounds every 10 seconds
Low battery mode	Green LED flashes every 1 second	Audible Alarm sounds every 1 second
Fault	Red LED is illuminated	Audible Alarm is continuous
Overload		Audible Alarm sounds every 0.5 seconds

IMPORTANT SAFETY INSTRUCTIONS: (SAVE THESE INSTRUCTIONS)

CAUTION! (UPS having Internal Batteries): Risk of electrical shock – Hazardous live parts inside this unit are energized from the battery supply even when the input AC power is disconnected.

CAUTION! (No User serviceable Parts): Risk of electrical shock, do not remove cover. No user serviceable parts inside. Refer servicing to qualified service personnel.

CAUTION! (Non-isolated Battery supply): Risk of electric shock, battery circuit is not isolated from AC input, hazardous voltage may exist between battery terminals and ground. Test before touching.

WARNING! Unit intended for installation in a controlled environment.

CAUTION! Do not dispose of batteries in a fire, the battery may explode.

CAUTION! Do not open or mutilate the battery, released electrolyte is harmful to the skin and eyes.

CAUTION! A battery can present a risk of electric shock and high short circuit current. The following precaution should be observed when working on batteries:

- Remove watches, rings or other metal objects.
- Use tools with insulated handles.

To reduce the risk of electric shock, disconnect the UPS from the main supply before installing a computer interface signal cable. Reconnect the power cord only after signaling interconnections have been made. Servicing of batteries should be performed or supervised by personnel with knowledge of batteries and the required precautions. Keep unauthorized personnel away from batteries.

The instructions contained within this safety manual are deemed important and should be closely followed at all times during installation and follow-up maintenance of the UPS and batteries.

⚠ CAUTION: The unit has a dangerous amount of voltage. If the UPS indicator is on, the unit's outlets may have a dangerous amount of voltage even when not plugged into the wall outlet because the battery may continue to supply power. Care should be taken to undertake installation indoors, free from electrically-conductive particles which are under temperature and humidity control, in order to reduce the risk of electric shock. It is best to disconnect the device using the power supply cord. Ensure that the equipment is placed in a position near the outlet where easily accessible. All servicing on this equipment must be carried out by qualified service personnel. Before conducting any maintenance, repair, or shipment, first ensure that everything is turned off completely and disconnected.

Troubleshooting

Condition	Visual Indicator	Alarm
No LED display on the front UPS panel	Low battery	Charge the UPS at least 8 hours
	Battery fault	Replace the battery with the same type of battery
	The UPS is not turned on	Press the Power Switch on the front of the UPS
Alarm continuously sounds when the AC input is normal	The UPS is overloaded	Remove some of the load from the output of the UPS
	UPS fault	Return the unit for service
Alarm sounds every 2 seconds when the AC input is normal	Battery defect	Replace the battery with the same type of battery
	Charging circuit is damaged	Return the unit for service
When power fails, backup time is shorter than expected	The UPS is overloaded	Remove some of the load from the output of the UPS
	Battery voltage is too low	Charge the UPS at least 8 hours
	Battery defect	Replace the battery with the same type of battery
The AC input is normal but the green LED is flashing	Power cord is loose	Reconnect the input power cord properly

Specifications

MODEL NUMBER		C60-800	C60i-800
CAPACITY	Power rating	800VA (480W)	
INPUT	Nominal voltage	120VAC	230VAC
	Voltage range	80–135VAC ± 5%	175–254VAC
	Frequency range	55–65Hz at 60Hz ± 1Hz	45–55Hz at 50Hz ± 1Hz
	Surge protection	158 J	
	AC power cord	6 ft, IEC C13 to 5–15P	IEC C14 inlet only
OUTPUT	Voltage (line mode)	80–135VAC ± 5%	175–254VAC
	Voltage (battery mode)	120VAC ± 10%	230VAC ± 10%
	Voltage regulation	± 2%	
	Frequency (line mode)	55–65Hz at 60Hz ± 1Hz	45–55Hz at 50Hz ± 1Hz
	Frequency (battery mode)	60Hz ± 1Hz	50Hz ± 1Hz
	Waveform	Sine wave (normal), simulated sine wave (battery mode)	
	Transfer time	2–6 ms	
	Outlets	(2) NEMA 5–15R	(2) IEC C13
	Overload capacity	110% +20% / -10% for 5 min; 120% +20% / -10% immediately off	
	Efficiency	> 95%	
	BATTERY	UPS battery type	(1) 12V 9AH / 12VDC
UPS charge current		1A maximum	
Recharge time		8 hours to 90% capacity	
PHYSICAL	Dimensions (W x D x H)	4.0 x 13.0 x 5.7 in	
	Weight	7.5 lbs	
ENVIRONMENT	Temperature	32–104°F (0–40°C)	
	Humidity	0–90%	
	Altitude	11,500 ft above sea level	
INDICATORS & ALARMS	Line mode	Green LED illuminated	
	Battery mode	Green LED flashing every 10 sec	
	Battery low	Green LED flashing every 1 sec	
	Fault mode	Off	
	Audible alarm	Battery mode - every 10 sec; low battery - every 1 sec; overload - ever 0.5 sec; fault - constant alarm	
APPROVALS	UL 1778, FCC Class A, RoHS	S-Mark, EN62040-1, EN62040-2, RoHS	
WARRANTY	2 years electronics, 2 years battery (USA and Canada)		

Obtaining Service

If the UPS requires Service:

1. Use the TROUBLESHOOTING section in this manual to eliminate obvious causes.
2. Verify there are no circuit breakers tripped.
3. Call your dealer for assistance. If you cannot reach your dealer, or if they cannot resolve the problem, call Xtreme Power Conversion Corp Technical Support at 800.582.4524. Technical support inquiries can also be made at support@xpcc.com. Please have the following information available BEFORE calling the Technical Support Department:
 - Your name and address.
 - The serial number of the unit.
 - Where and when the unit was purchased.
 - All of the model information about your UPS.
 - Any information on the failure, including LED's that may or may not be illuminated.
 - A description of the protected equipment, including model numbers if possible.
 - A technician will ask you for the above information and, if possible, help solve your problem over the phone. In the event that the unit requires factory service, the technician will issue you a Return Material Authorization number (RMA).

If you are returning the UPS to Xtreme Power for service, please follow these procedures:

1. Pack the UPS in its original packaging. If the original packaging is no longer available, ask the Technical Support Technician about obtaining a replacement set of packaging material. It is important to pack the UPS properly in order to avoid damage in transit. Never use Styrofoam beads for a packing material.
2. Include a letter with your name, address, daytime phone number, RMA number, a copy of your original sales receipt, and a brief description of the problem.
3. Mark the RMA number on the outside of all packages. Xtreme Power cannot accept any package without the RMA number marked on the outside of the boxes.
4. Return the UPS by insured, prepaid carrier to the address provided by the Technician.
5. Refer to the Warranty statements in this manual for additional details on what is covered.

Xtreme Power Conversion Limited Warranty

Xtreme Power Conversion (XPC) Corporation warrants Xtreme Power Conversion equipment, when properly applied and operated within specified conditions, against faulty materials or workmanship for a period of **two years for C60 Series products** from the date of purchase. XPC Corporation warrants **internal batteries for a period of two years** from the date of purchase. For equipment sites within the United States and Canada, this warranty covers repair or replacement, at the sole discretion of XPC Corporation. The customer is responsible for the costs of shipping the defective product to XPC Corporation. XPC Corporation will pay for ground shipment of the repaired or replacement product. This warranty applies only to the original purchaser.

If equipment provided by XPC Corporation is found to be **Dead-on-Arrival (DOA)**, XPC Corporation will be responsible for the costs of shipping product to and returning equipment from the customer in a timely manner as agreed to with the customer, once the customer has requested and received a **Return Material Authorization (RMA)** number. DOA equipment is defined as equipment that does not properly function according to user documentation when initially received and connected in conjunction with proper procedures as shown in the user documentation or via support provided by XPC Corporation personnel or authorized agents.

This warranty shall be void if (a) the equipment is repaired or modified by anyone other than XPC Corporation or a XPC Corporation approved third party; (b) the equipment is damaged by the customer, is improperly used or stored, is subjected to an adverse operating environment, or is operated outside the limits of its electrical specifications; or (c) the equipment has been used or stored in a manner contrary to the equipment's operating manual, intended use or other written instructions. Any technical advice furnished by XPC Corporation or a XPC Corporation authorized representative before or after delivery with regard to the use or application of Xtreme Power Conversion equipment is furnished on the basis that it represents XPC Corporations best judgment under the situation and circumstances, but it is used at the recipient's sole risk.

EXCEPT AS STATED ABOVE, XPC Corporation DISCLAIMS ALL WARRANTIES, EXPRESSED OR IMPLIED, INCLUDING WARRANTIES OF MERCHANTABILITY AND FITNESS FOR A PARTICULAR PURPOSE.

EXCEPT AS STATED ABOVE, IN NO EVENT WILL XPC Corporation BE LIABLE FOR DIRECT, INDIRECT, SPECIAL, INCIDENTAL, OR CONSEQUENTIAL DAMAGES ARISING OUT OF THE USE OF Xtreme Power Conversion EQUIPMENT, including but not limited to, any costs, lost profits or revenue, loss of equipment, loss of use of equipment, loss of software, loss of data, cost of substitutes, or claims by third parties. Purchaser's sole and exclusive remedy for breach of any warranty, expressed or implied, concerning Xtreme Power Conversion equipment, and the only obligation of XPC Corporation under this warranty, shall be the repair or replacement of defective equipment, components, or parts; or, at XPC Corporations sole discretion, refund of the purchase price or substitution of an equivalent replacement product.